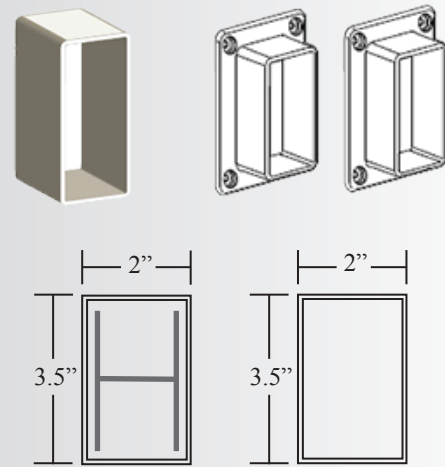
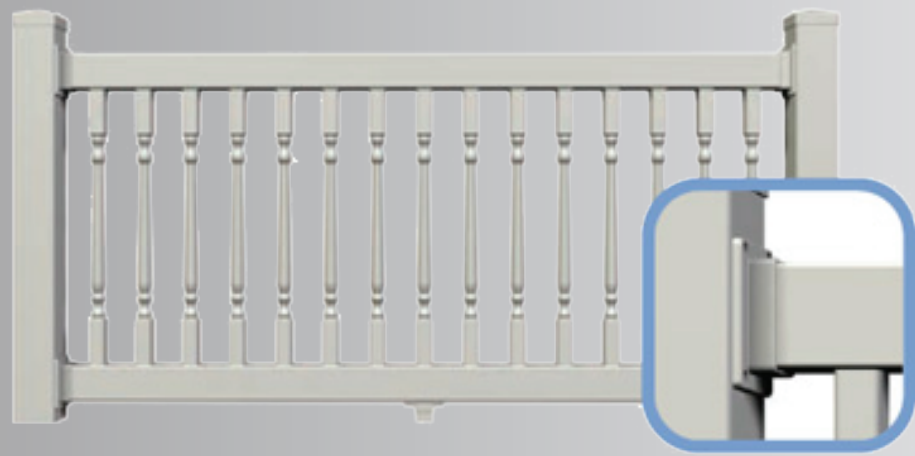


PRO-V RAILING

The Pro V Series is our economy railing with an all vinyl bracket system. It's a no paint, no stain, alternative to traditional pressure treated wood or composite railing. Boxed for a quick shipment and easy field assembly.

- All-Vinyl One Piece Bracket System
- Aluminum Reinforcement in Top Rail
- Commercial and Residential Applications
- CCRR Compliant Railing System
- Passed and Exceeded 1000 lb Load Test

Whitman

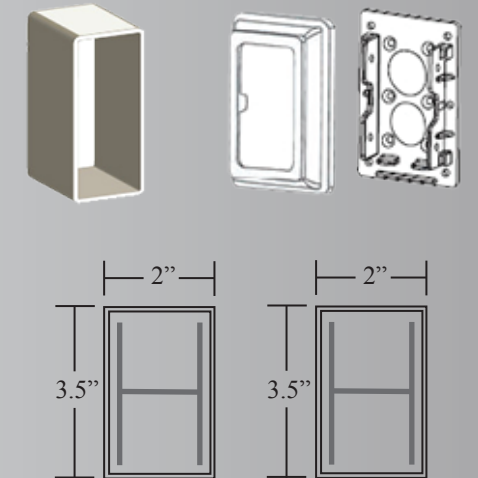
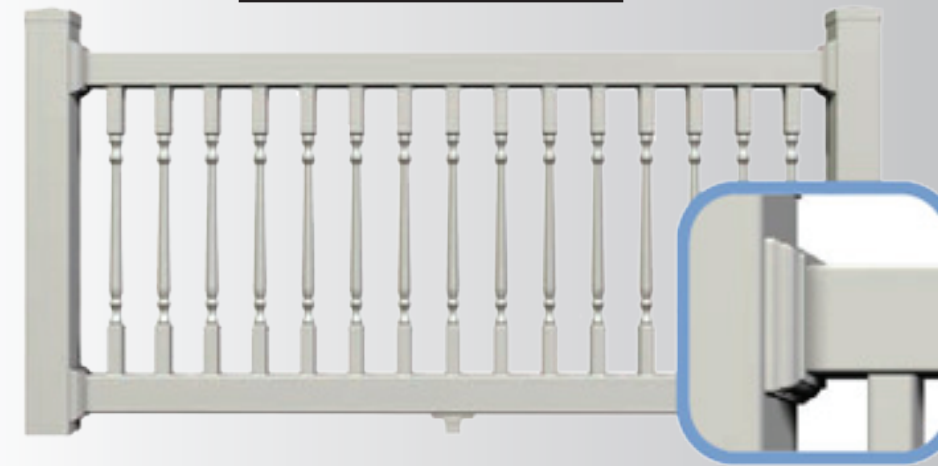


PRO-Z RAILING

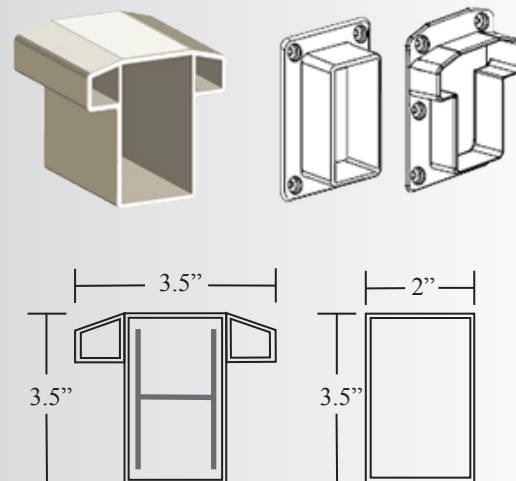
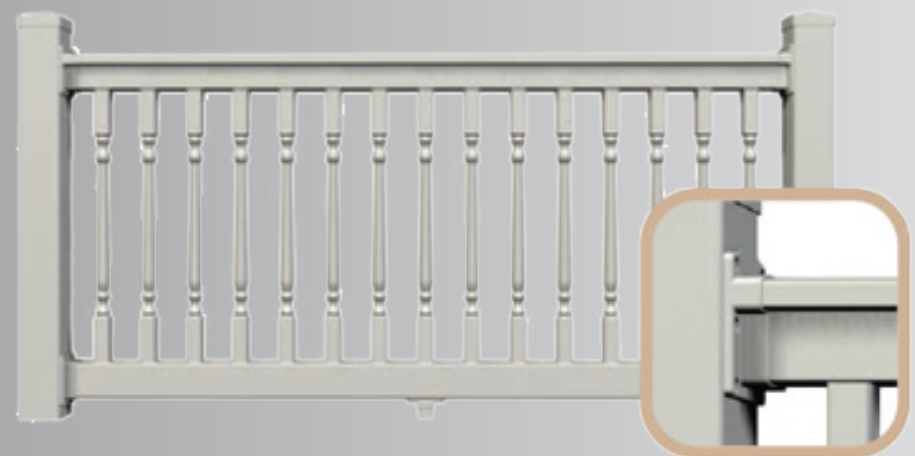
The Pro Z Series offers the exceptional benefit of our bracket system. A sturdy attachment providing you with the security of knowing your railing is attached with a metal-to-metal connection.

- All-Vinyl One Piece Bracket System
- Aluminum Reinforcement in Top Rail
- Commercial and Residential Applications
- CCRR Compliant Railing System
- Passed and Exceeded 1000 lb Load Test

Stanfield



Conrad



Trustin

